



TECHNICAL DATA SHEET

Radiating Cables

Kabelwerk **EUPEN** AG

Rev.: 01/2008-06-05

cable

1/2

Coaxial RF Switching Relay

TECHNICAL FEATURES

Frequency MHz	VSWR Max	Isolation dB (min)	Insertion Loss dB (max)	Input RF Power W
50	1.005	65	0.01	350
150	1.01	60	0.015	300
500	1.03	53	0.018	300
1000	1.05	46	0.05	250
1500	1.17	42	0.05	200
2000	1.2	39	0.1	150

• Pull-in Voltage	V	9 - 16,5 DC (12 V nominal)
• Drop-out Voltage	V	1.5 DC minimum
• Current	mA	160 @ 12 V DC 20 °C
• Coil Resistance	Ω	75 \pm 10 % 20 °C
• Pull-in Switching Time	ms	20 (maximum)
• Drop-out Switching Time	ms	15 (maximum)
• Life Expectancy	-	500,000 operations (minimum)
• Impedance	Ω	50
• Contact Arrangement	-	SPDT
• Operating Temperature Range	°C	-50 to +70
• Dimensions	mm	50 x 58 x 53 (see diagram)
• Weight	g	230 (approximately)
• Mounting	-	4 x screw holes (common output)
• Connectors	-	3 x N-Type



TECHNICAL DATA SHEET

Radiating Cables

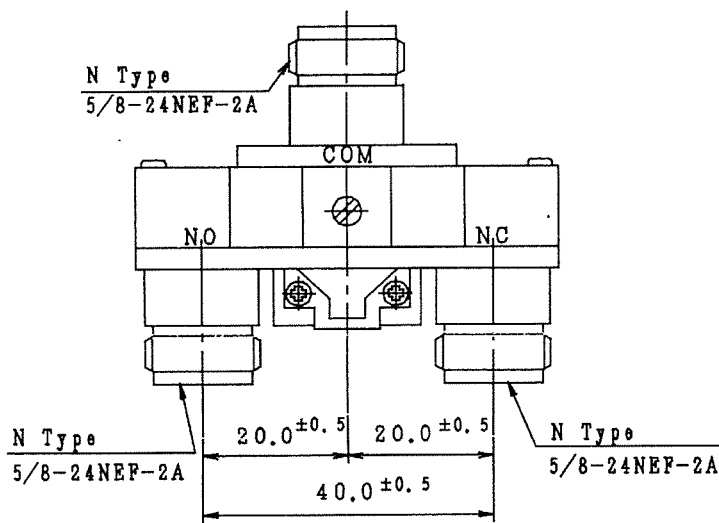
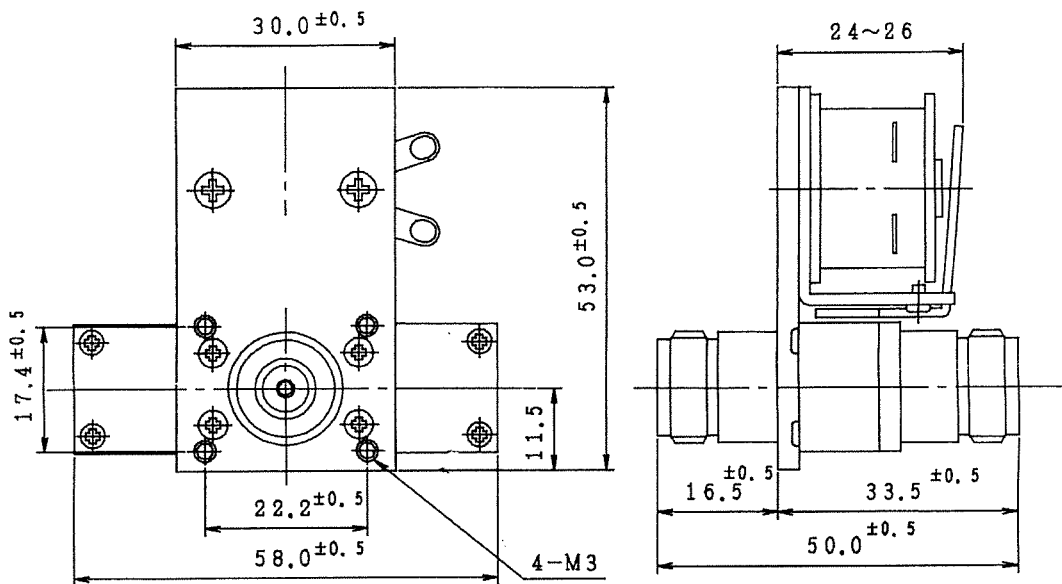
Kabelwerk **EUPEN** AG

Rev.: 01/2008-06-05

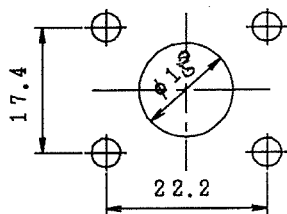
cable

2/2

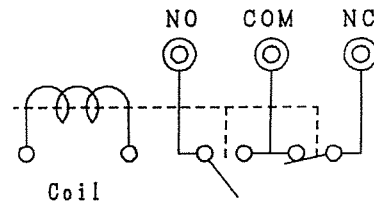
Coaxial RF Switching Relay



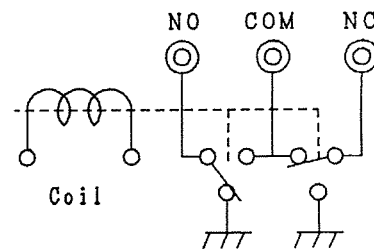
(Mounting Holes)



Schematic



NON GROUNDING



GROUNDING